

Northern Arizona University

# Spirit Formwork

## Legend

No.	Qty	Description
1	26	3/4" Ply wood Sheets
2	13	1/4" Ripped Pine 2 X 4 strips
3	104	3" Screws
4	4	2X6 Cedar
5	8	Recycled 2' Long 6" Dia. Concrete Blocks

### General Notes:

- Most of the 1/4" Ripped Pine 2x4 strips were used in construction of the woodstrip mold and are not labeled with the other formwork.

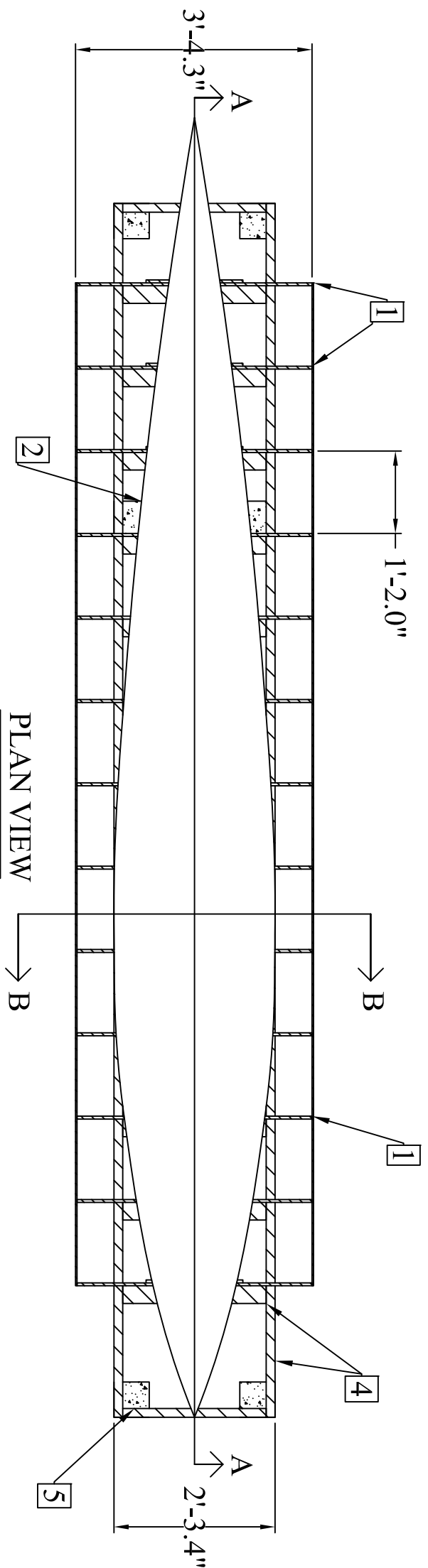
Drawn By: Team *Night Fury*

Modified By: Ariel Suarez

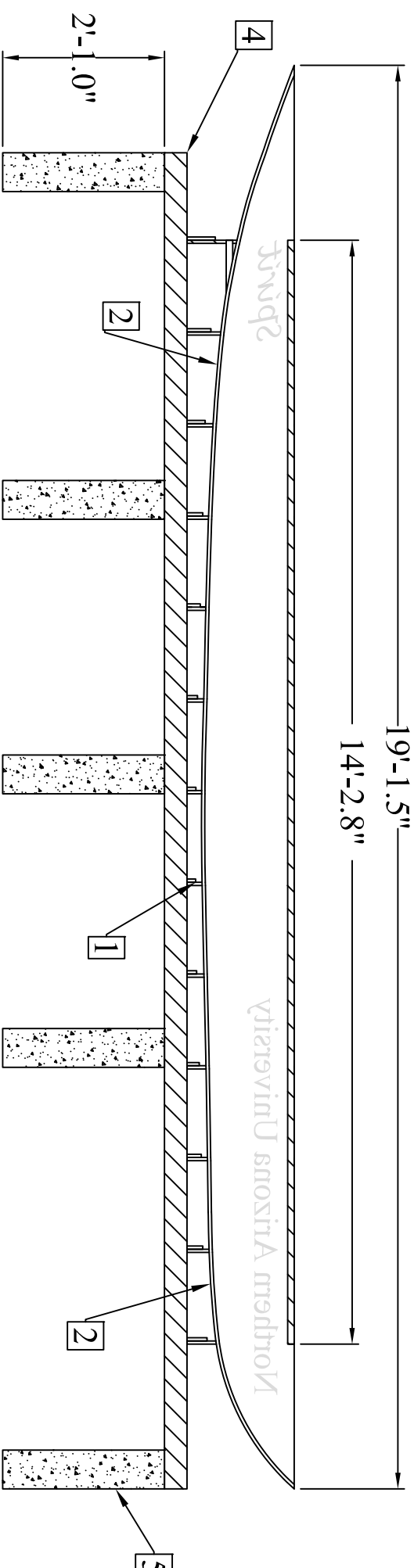
Checked By: Shuo Zhang

Date: 02/20/2014

Page: 10

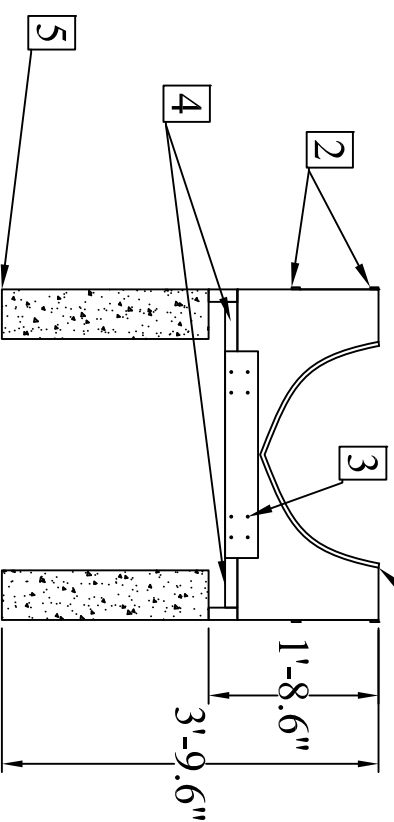


PLAN VIEW



ELEVATION VIEW

Section A-A



TYPICAL CROSS SECTION

Section B-B

